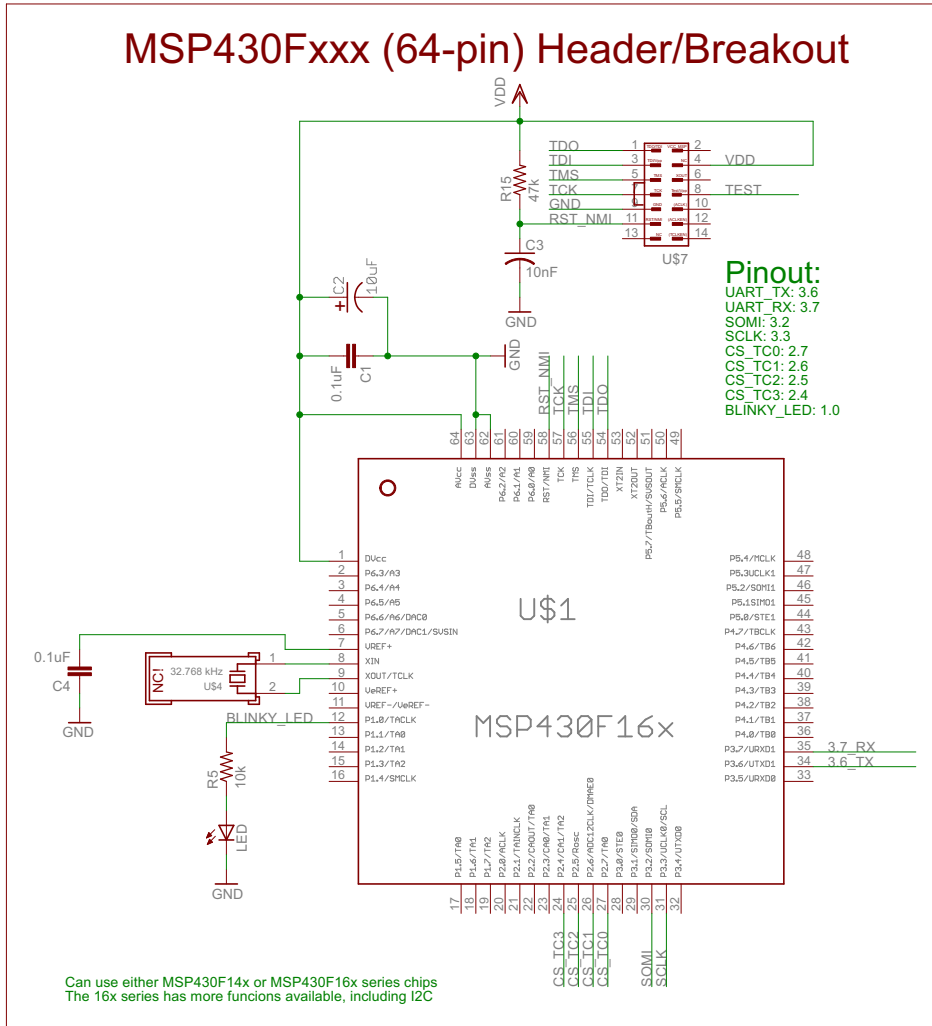
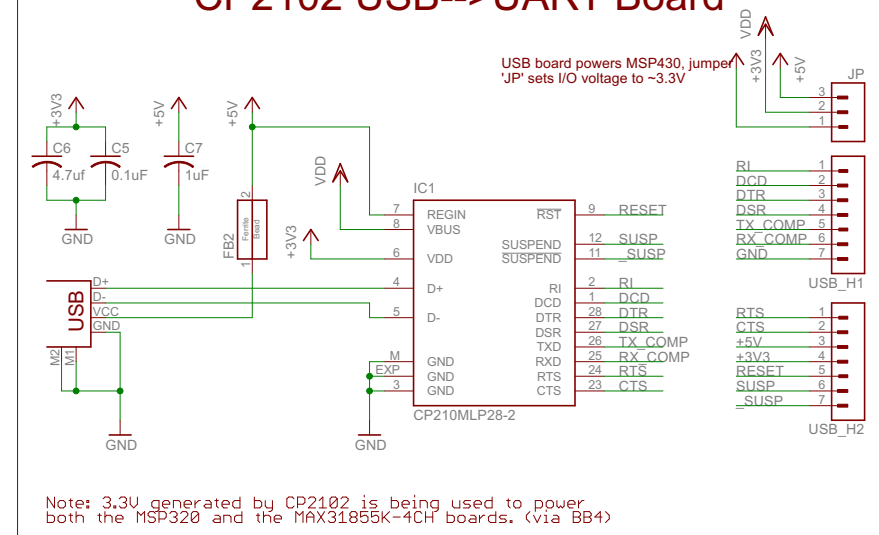


Appnote: MAX31855K-4CH interface to MSP430F14x/16x  
Includes UART-->USB connection to computer

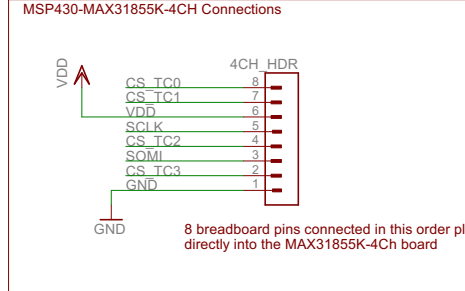
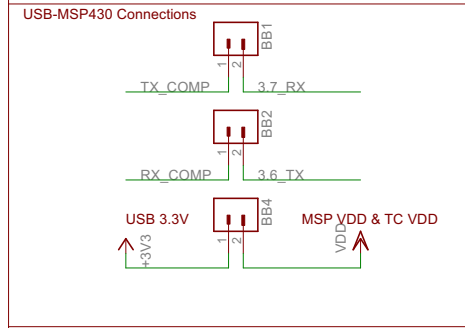
## MSP430Fxxx (64-pin) Header/Breakout



## CP2102 USB-->UART Board



## Breadboard Connections



TITLE: PWF_430_MAX31855K_Appnote	
CREATOR: J. Steinlage	REVISION:
DATE: 12/16/2012 11:18:02 PM	SHEET: 1/1
LAST MODIFIED BY: J. Steinlage	