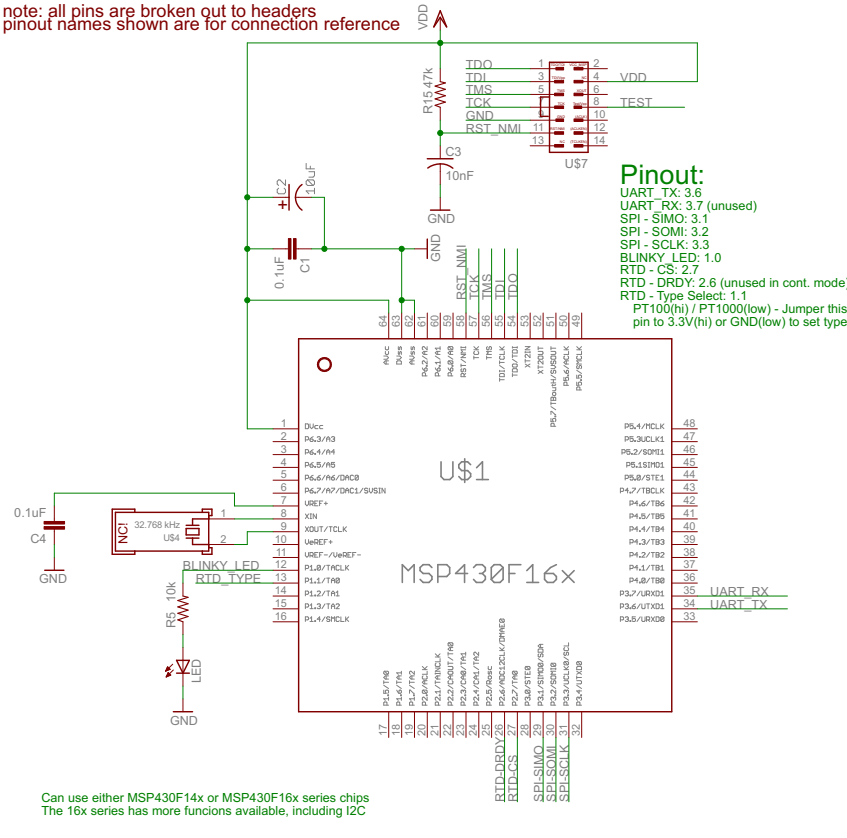


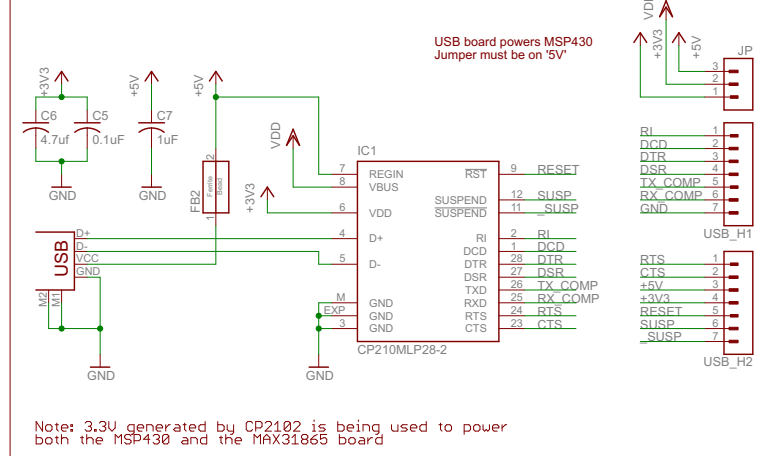
Appnote: MAX31865 interface to MSP430F14x/16x
Resistance Temperature Device (RTD)
Includes UART-->USB connection to computer

MSP430Fxxx (64-pin) Header/Breakout

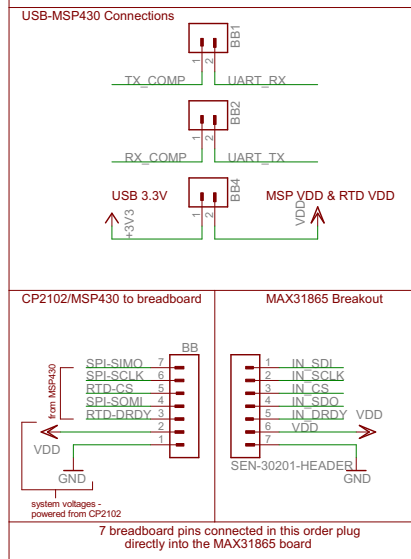
note: all pins are broken out to headers
pinout names shown are for connection reference



CP2102 USB-->UART Board



Breadboard Connections



TITLE: AN0002 - MAX31865toMSP430

CREATOR: J. Steinlage

REVISION:

DATE: not saved!

SHEET: 1/1

LAST MODIFIED BY: J. Steinlage