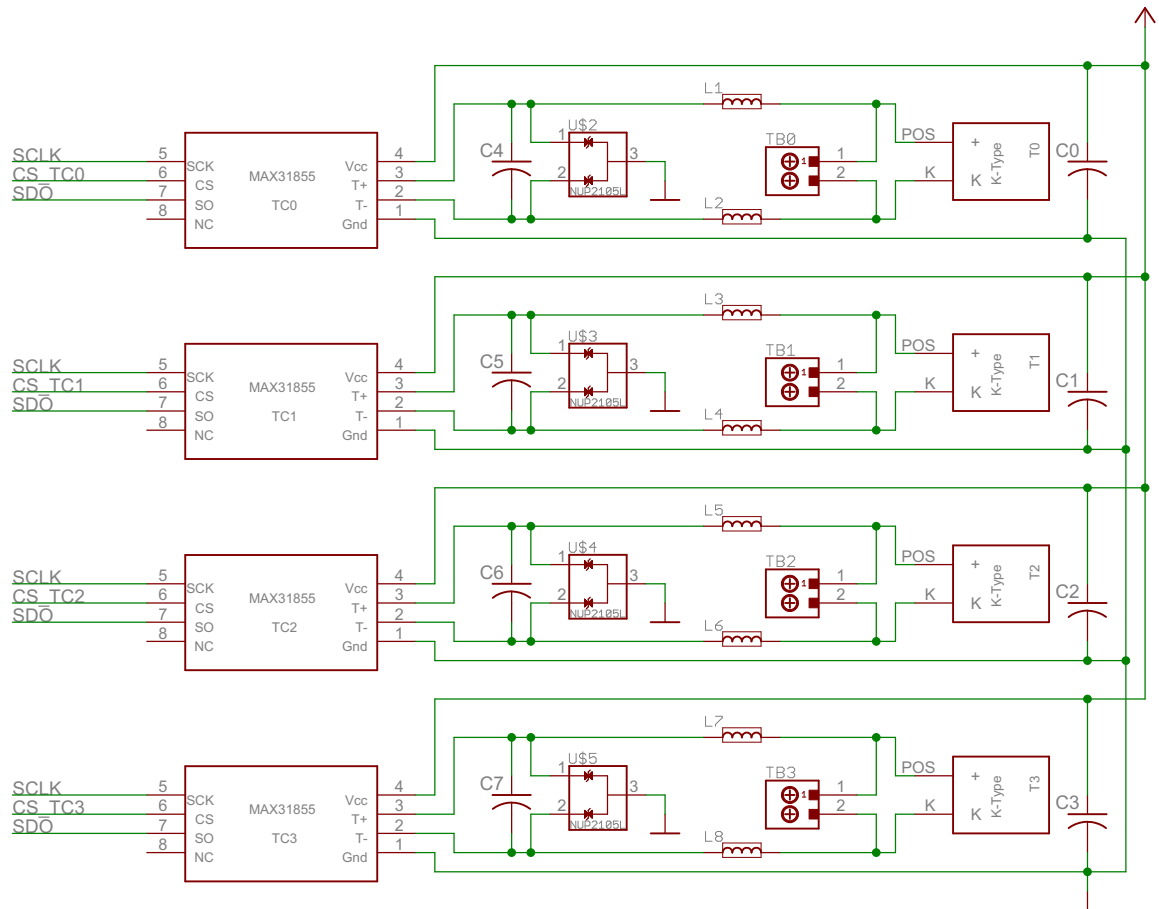
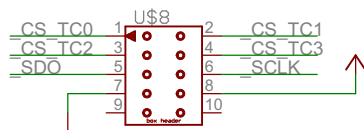
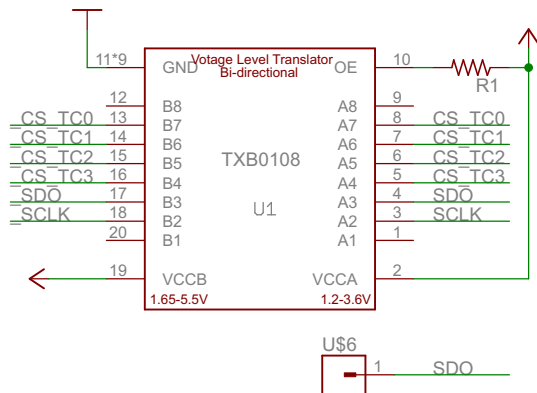
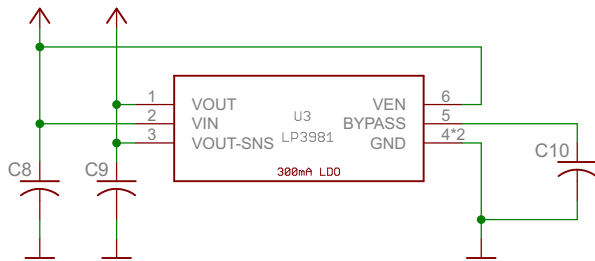


4-Channel MAX31855K - Maxim Cold-Junction Compensated Thermocouple-to-Digital Converter Upgrade of MAX6674/5

Notes:
1) VCC range is 3-5.5V



PWF PWF S01 S02 S03 S04

Playing With Fusion, Inc.

TITLE:SEN-30003_R02

CREATOR:J. Steinlage

REVISION:02

DATE:not saved!

SHEET:1/1

LAST MODIFIED BY:J. Steinlage